

# Pocket-Surfix® Series

## Portable Coating Thickness Gauge: With integrated probe.

The Pocket-Surfix®-Series is a compact, lightweight, multifunctional fully menu driven coating thickness gauge for fast, precise, non-destructive coating thickness measurement for varnish, paint and electroplated coatings on iron/steel and varnish, paint and anodizing coatings on non-ferrous metals and on austenitic stainless steels.

6 Models: Pocket-Surfix® FN Pocket-Surfix® FN basic  
Pocket-Surfix® F Pocket-Surfix® F basic  
Pocket-Surfix® N Pocket-Surfix® N basic  
basic:  
without memory, statistics, limit values, IR-interface

1 Probe: Integrated probe

Measuring Range: 0 – 1500 µm (0 – 60 mils)

### Probe

The integrated probe is machined to ultra-high standards and utilizes a unique, hard-metal probe tip which prevents probe wear.

The V-notched foot of the probe provides a stable footing on flat as well as cylindrical and curved surfaces.



### Features

- Innovative and user-friendly measuring techniques
- Online statistics with all common parameters
- Data transfer to printer or PC via an infrared interface
- The Pocket-Surfix® FN automatically identifies the substrate and activates the appropriate measuring procedure
- Menu in a choice of different languages ensures easy operation
- The uniform contact pressure of the sensor is minimized, preventing scratches & indentations to sensitive surfaces
- Simple verification of zinc coatings under the paintwork of car bodies with the Pocket-Surfix® FN
- Manufacturer's Certificate and one year warranty included



**Pocket-Surfix®:**  
The ultimate pocket size gauge.

### Application

Surface inspection with the coating thickness gauge Pocket-Surfix® FN



Physikalische Oberflächen-Messtechnik  
Physical Surface Testing Technology

# Specifications

## for Pocket-Surfix® with FN probe

### Measuring principle:

Magnetic induction principle (F-Mode) for ferrous metals  
Eddy-current principle (N-Mode) for non-ferrous metals  
FN-Mode for all metals

### Range:

0 – 1500 µm (0 – 60 mils)

### Accuracy:

± (1 µm / 0.04 mils + 1 % of reading)

### Resolution:

0.1 µm / 0.004 mils or < 0.2 % of reading

### Display:

Backlight, 4-digit alphanumeric, height 10 mm (0.4")

### Calibration:

Factory-, zero- and foil-calibration  
Offset-function: addition/subtraction of a constant value

### Memory:

Max. 80 readings

### Statistics Program:

Number of readings, mean value, standard deviation,  
maximum and minimal reading (up to 10000 readings)

### Data Output:

Infrared interface

### Operating Temperature:

0°C to +50°C / 32°F to 122°F

### Surface Temperature:

-15°C to +60°C / 5°F to 140°F

### Power:

2 AAA, 1.5V

### Dimensions:

107 mm x 50 mm x 25 mm  
(4.2" x 2" x 1")

### Weight:

90 g (3.2 oz) incl. batteries



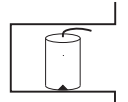

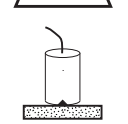
### Protection Class:

IP 52 (proof against dust and dripping water)

### Standards:

DIN, ISO, ASTM, BS

### Measuring Limits

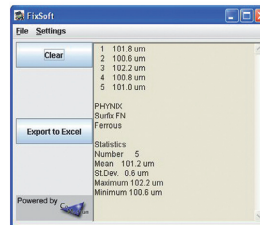
	Minimum Radius for Convex Surfaces	1.5 mm (0.06")
	Minimum Radius for Concave Surfaces	50 mm (2")
	Minimum Headroom	125 mm (5")
	Minimum Measuring Area	10 mm x 10 mm (0.4" x 0.4")
	Minimum Substrate Thickness – F	0.2 mm (8 mils)
	Minimum Substrate Thickness – N	50 µm (2 mils)

### Printer PrintFix (optional)

Portable thermal-printer with an integrated infrared interface for wireless data transfer. It can print values stored in the Pocket-Surfix® gauge quickly and reliably locally or later in the office.



### Software FixSoft (optional)



Transfer program for Pocket-Surfix® gauge. The measurement values are transferred in a pre-compiled template for spreadsheet programs together with a histogram and a trend presentation.

### Delivery Schedule

Pocket-Surfix® for FN-Version:  
Gauge incl. probe, 2 calibration foils,  
ferrous and non-ferrous zero plate,  
2 AAA batteries, carrying pouch, manual  
and manufacturer's certificate.



# PHYNIX



Physikalische Oberflächen-Messtechnik  
Physical Surface Testing Technology

### PHYNIX GmbH & Co. KG

Alexe-Altenkirch-Straße 3  
50739 Köln, Germany  
Phone +49(0)221/17964-30 info@phynix.de  
Fax +49(0)221/17964-35 www.phynix.de